

FOXBORO

MODELS 39, 40 & 740 12" CIRCULAR CHARTS

PRODUCT GROUP: CFX/0011

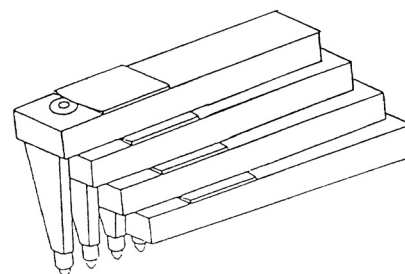
| OEM PART # | ORDER REF | PRINTED | ROTATION | QTY/ PKG. | RANGE / DESCRIPTION |
|------------|-----------|----------|----------|-----------|---------------------|
| 89860 | 0023723 | ONE SIDE | 24HR | 100 | 0-10 LINEAR |
| 898413 | 0023643 | ONE SIDE | 24HR | 100 | 0-100 LINEAR |

MANY OTHER CHARTS AVAILABLE FOR THIS RECORDER, PLEASE ENQUIRE

MODELS 39, 40 & 740 DISPOSABLE FIBRE TIPPED PENS

PRODUCT GROUP: UD44

| OEM PART # | ORDER REF | COLOUR | NIB EXT. | QTY/ PKG. |
|------------|-----------|--------|----------|-----------|
| LO121CJ | 0070477 | RED | .14" | 6 |
| LO121CH | 0070482 | RED | .37" | 6 |
| LO121CT | 0070486 | RED | .60" | 6 |
| LO121CY | 0070494 | RED | .83" | 6 |
| LO121CM | 0070478 | VIOLET | .14" | 6 |
| LO121CR | 0070483 | VIOLET | .37" | 6 |
| LO121CW | 0070487 | VIOLET | .60" | 6 |
| LO121DB | 0070496 | VIOLET | .83" | 6 |
| LO121CK | 0070475 | GREEN | .14" | 6 |
| LO121CP | 0070480 | GREEN | .37" | 6 |
| LO121CU | 0070485 | GREEN | .60" | 6 |
| LO121CZ | 0070490 | GREEN | .83" | 6 |
| LO121CL | 0070474 | BLUE | .14" | 6 |
| LO121CQ | 0070479 | BLUE | .37" | 6 |
| LO121CV | 0070484 | BLUE | .60" | 6 |
| LO121DA | 0070489 | BLUE | .83" | 6 |
| LO121CN | 0070476 | BLACK | .14" | 6 |
| LO121CS | 0070481 | BLACK | .37" | 6 |
| LO121CX | 0077328 | BLACK | .60" | 6 |
| LO121DC | 0070492 | BLACK | .83" | 6 |



FOR OTHER RECORDER MODELS OR NON-STANDARD CHARTS PLEASE ENQUIRE

FOXBORO

MODELS E20, 53, 54, 64, 120 & 220 STRIP CHARTS

PRODUCT GROUP: RFX/0110 (ROLLS) PFX/0118 (Z-FOLDS)

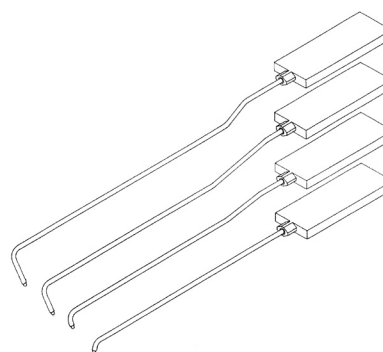
| OEM PART # | ORDER REF | TYPE | UNIT LENGTH | CHART WIDTH | QTY/ PKG. | RANGE / DESCRIPTION |
|------------|-----------|--------|-------------|-------------|-----------|---------------------|
| 53001-T | 0015282 | ROLL | 1 x 15m | 110mm | 1 ROLL | 0-100 LINEAR |
| 53001-6TX | 0015278 | Z-FOLD | 2 x 8m | 118mm | 2 PACKS | 0-100 LINEAR |

MANY OTHER CHARTS AVAILABLE FOR THIS RECORDER, PLEASE ENQUIRE

MODELS E20, 53, 54, 64, 120 & 220 FIBRE TIPPED PENS

PRODUCT GROUP: MT37 (HARP TYPE)

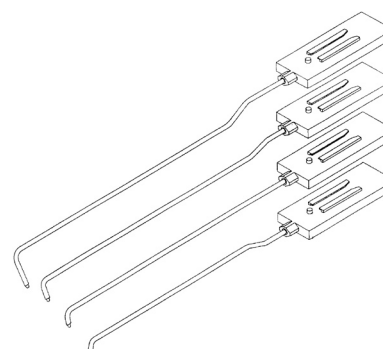
| OEM PART # | ORDER REF | COLOUR | QTY/ PKG. |
|------------|-----------|--------|-----------|
| DO129ZN | 0049650 | GREEN | 3 |
| DO129ZP | 0049651 | RED | 3 |
| DO129ZQ | 0050644 | BLUE | 3 |
| DO129 | 0043568 | VIOLET | 3 |



MODELS E20, 53, 54, 64, 120 & 220 FIBRE TIPPED PENS

PRODUCT GROUP: MT38 (RECTANGULAR TYPE)

| OEM PART # | ORDER REF | COLOUR | QTY/ PKG. |
|------------|-----------|--------|-----------|
| DO129ZT | 0049653 | GREEN | 3 |
| DO129ZU | 0049654 | RED | 3 |
| DO129ZV | 0049655 | BLUE | 3 |
| DO129ZW | 0049656 | VIOLET | 3 |



MODELS E27, 127 227 & 760R DIN 100mm STRIP CHARTS

PRODUCT GROUP: RFX/0109 (ROLLS)

| OEM PART # | ORDER REF | TYPE | UNIT LENGTH | CHART WIDTH | QTY/ PKG. | RANGE / DESCRIPTION |
|------------|-----------|------|-------------|-------------|-----------|---------------------|
| 33000-T | 0009632 | ROLL | 1 x 15m | 100mm | 1 ROLL | 0-10 LINEAR |
| 33001-T | 0009633 | ROLL | 1 x 15m | 100mm | 1 ROLL | 0-100 LINEAR |

MANY OTHER CHARTS AVAILABLE FOR THIS RECORDER, PLEASE ENQUIRE

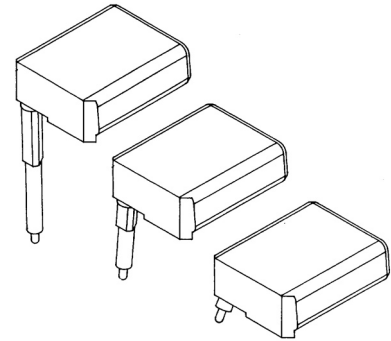
FOR OTHER RECORDER MODELS OR NON-STANDARD CHARTS PLEASE ENQUIRE

FOXBORO

MODELS E27, 127, 227 & 760R FIBRE TIPPED PENS

PRODUCT GROUP: FD17

| OEM PART # | ORDER REF | COLOUR | QTY/ PKG. |
|------------|-----------|--------|-----------|
| G0114SR | 0075733 | GREEN | 3 |
| G0114SS | 0077315 | RED | 3 |
| G0114ST | 0077316 | BLUE | 3 |
| G0114SU | 0077317 | VIOLET | 3 |
| G0114SV | 0077318 | BLACK | 3 |
| G0114SW | 0075734 | RED | 3 |
| G0114SX | 0077320 | GREEN | 3 |
| G0114SY | 0077321 | BLUE | 3 |
| G0114SZ | 0077322 | VIOLET | 3 |
| G0114TA | 0077323 | BLACK | 3 |
| G0114TB | 0077326 | VIOLET | 3 |
| G0114TC | 0077324 | GREEN | 3 |
| G0114TD | 0077325 | RED | 3 |
| G0114TE | 0075735 | BLUE | 3 |
| G0114TF | 0077327 | BLACK | 3 |



FOR OTHER RECORDER MODELS OR NON-STANDARD CHARTS PLEASE ENQUIRE

Copyright (C) 2008 - Graphic Controls Ltd. St. Peter's Quay, Totnes, Devon, UK, TQ9 5XH