

YOKOGAWA

MODELS R100, 100F, 100T & R 1000 STRIP CHART

PRODUCT GROUP: PYO/0114 (Z-FOLD)

OEM PART #	ORDER REF	TYPE	UNIT LENGTH	CHART WIDTH	QTY/ PKG.	RANGE / DESCRIPTION
B9565AW	0024819	Z-FOLD	1 x 16m	114mm	1	0-100 LINEAR

MANY OTHER CHARTS AVAILABLE FOR THIS RECORDER, PLEASE ENQUIRE

MODEL R 1000S STRIP CHART

PRODUCT GROUP: RYO/0114 (ROLL)

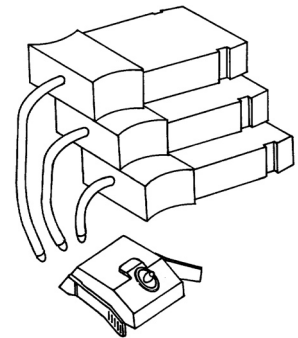
OEM PART #	ORDER REF	TYPE	UNIT LENGTH	CHART WIDTH	QTY/ PKG.	RANGE / DESCRIPTION
B9902MY	0096491	ROLL	1 x 16m	114mm	1	0-100 LINEAR

MANY OTHER CHARTS AVAILABLE FOR THIS RECORDER, PLEASE ENQUIRE

MODELS R100, R180 FIBRE TIPPED PENS

PRODUCT GROUP: MT44

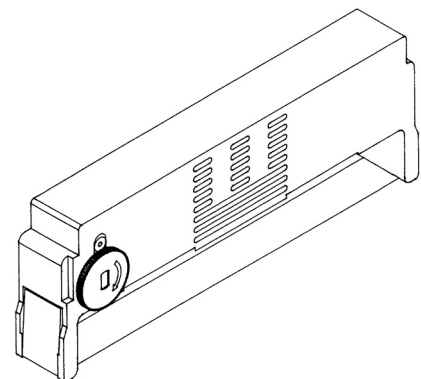
OEM PART #	ORDER REF	COLOUR	QTY/ PKG.
B9565 AP	0064000	RED	3
B9565 AQ	0064001	GREEN	3
B9565 AR	0064002	BLUE	3
B9565 AS	0049668	VIOLET	3



RIBBON CARTRIDGE FOR MODELS R100 & R1000

PRODUCT GROUP: 64-11-100V-01

OEM PART #	ORDER REF	COLOUR	QTY/ PKG.
B9901AX	0066272	6 COLOUR RED ORANGE BLUE GREEN BLACK VIOLET	1



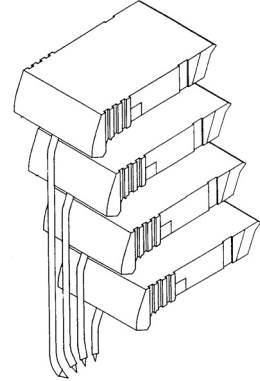
FOR OTHER RECORDER MODELS OR NON-STANDARD CHARTS PLEASE ENQUIRE

YOKOGAWA

DISPOSABLE FIBRE TIPPED PENS FOR R1000 & R1800 SERIES

PRODUCT GROUP: MT98

OEM PART #	ORDER REF	COLOUR	QTY/ PKG.
B9902AQ	0070450	MAGENTA	3
B9902AP	0070451	BLUE	3
B9902AN	0070452	GREEN	3
B9902AM	0070453	RED	3
B9902AR	0070454	PURPLE	3



MODELS R180, 180T & 1800 STRIP CHART

PRODUCT GROUP: PYO/ 0200 (Z-FOLD)

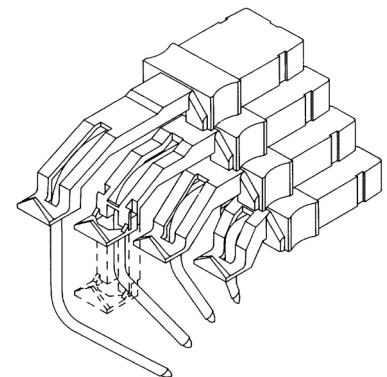
OEM PART #	ORDER REF	TYPE	UNIT LENGTH	CHART WIDTH	QTY/ PKG.	RANGE / DESCRIPTION
B9573AN	0050439	Z-FOLD	1 x 20m	200mm	1	0-100 LINEAR

MANY OTHER CHARTS AVAILABLE FOR THIS RECORDER, PLEASE ENQUIRE

MODELS R180T, R100F & R100T FIBRE TIPPED PENS

PRODUCT GROUP: MT44

OEM PART #	ORDER REF	COLOUR	QTY/ PKG.
B9625 AY	0070473	MAGENTA	3
B9588 KG	0070472	RED	3
B9588 KH	0070471	GREEN	3
B9588 KJ	0070470	BLUE	3
B9565 AS	0049668	PURPLE	3



FOR OTHER RECORDER MODELS OR NON-STANDARD CHARTS PLEASE ENQUIRE

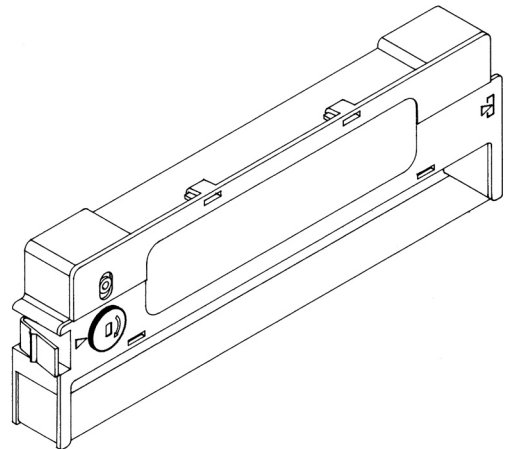
Copyright (C) 2008 - Graphic Controls Ltd. St. Peter's Quay, Totnes, Devon, UK, TQ9 5XH

YOKOGAWA

RIBBON CARTRIDGE FOR MODEL R180 & R180T

PRODUCT GROUP: B9906JA

OEM PART #	ORDER REF	COLOUR	QTY/ PKG.
B9573RR	0077615	6 COLOUR RED GREEN BLUE BROWN VIOLET BLACK	1



MODEL SRHD STRIP CHART

PRODUCT GROUP: YW-305 (Z-FOLDS)

OEM PART #	ORDER REF	TYPE	UNIT LENGTH	CHART WIDTH	QTY/ PKG.	RANGE / DESCRIPTION
E9721NB	0077338	Z-FOLD	1 x 16m	113mm	1	NO RANGE 100 DIVISION

MANY OTHER CHARTS AVAILABLE FOR THIS RECORDER, PLEASE ENQUIRE

DISPOSABLE FIBRE TIPPED PENS FOR SRHD MODEL

PRODUCT GROUP: 64-18-01

OEM PART #	ORDER REF	COLOUR	QTY/ PKG.
E9721 PF	0077339	RED	3
E9721 PH	0077340	GREEN	3
E9721 PG	0077341	BLUE	3
E9721 PE	0077342	BLACK	3

MODELS R250, 4081 & HR 2500 STRIP CHART

PRODUCT GROUP: PYO/0344 (Z-FOLDS)

OEM PART #	ORDER REF	TYPE	UNIT LENGTH	CHART WIDTH	QTY/ PKG.	RANGE / DESCRIPTION
B9538 RN	0024813	Z-FOLD	1 x 20m	344mm	1	0-100 LINEAR

MANY OTHER CHARTS AVAILABLE FOR THIS RECORDER, PLEASE ENQUIRE

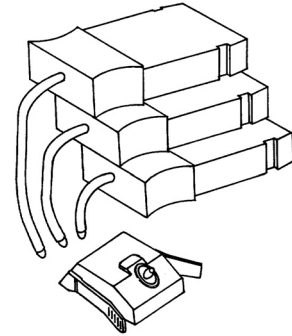
FOR OTHER RECORDER MODELS OR NON-STANDARD CHARTS PLEASE ENQUIRE

YOKOGAWA

DISPOSABLE FIBRE TIPPED PENS FOR R250 SERIES

PRODUCT GROUP: MT44

OEM PART #	ORDER REF	COLOUR	QTY/ PKG.
B9565 AP	0064000	RED	3
B9565 AQ	0064001	GREEN	3
B9565 AR	0064002	BLUE	3
B9565 AS	0049668	VIOLET	3



RIBBON CARTRIDGE FOR MODELS 3081, 4081 & HR 2500

PRODUCT GROUP: 64-11-400V-01

OEM PART #	ORDER REF	COLOUR	QTY/ PKG.
B9541AT	0066192	6 COLOUR RED GREEN BLUE BROWN VIOLET BLACK	1

MODEL HR 1300 STRIP CHART

PRODUCT GROUP: PYO/0230 (Z-FOLDS)

OEM PART #	ORDER REF	TYPE	UNIT LENGTH	CHART WIDTH	QTY/ PKG.	RANGE / DESCRIPTION
B9855 AY	2015945	Z-FOLD	1 x 20m	230mm	6	0-10 10-0 LINEAR

MANY OTHER CHARTS AVAILABLE FOR THIS RECORDER, PLEASE ENQUIRE

FOR OTHER RECORDER MODELS OR NON-STANDARD CHARTS PLEASE ENQUIRE

YOKOGAWA

RIBBON CARTRIDGE FOR MODEL HR 1300

PRODUCT GROUP: 64-11-500V-01

OEM PART #	ORDER REF	COLOUR	QTY/ PKG.
B9627AZ	0075043	10 COLOUR RED GREEN BLUE BROWN VIOLET BLACK NAVY BLUE YELLOW ORANGE PURPLE	1

MODELS HR 2300 & HR 2400 STRIP CHART

PRODUCT GROUP: PYO/0343 (Z-FOLDS)

OEM PART #	ORDER REF	TYPE	UNIT LENGTH	CHART WIDTH	QTY/ PKG.	RANGE / DESCRIPTION
B9627 AY	0059773	Z-FOLD	1 x 30m	343mm	1	0-100 LINEAR

MANY OTHER CHARTS AVAILABLE FOR THIS RECORDER, PLEASE ENQUIRE

RIBBON CARTRIDGE FOR MODELS HR 2300 & HR 2400

PRODUCT GROUP: 64-11-500V-01

OEM PART #	ORDER REF	COLOUR	QTY/ PKG.
B9627AZ	0075043	10 COLOUR RED GREEN BLUE BROWN VIOLET BLACK NAVY BLUE YELLOW ORANGE PURPLE	1

FOR OTHER RECORDER MODELS OR NON-STANDARD CHARTS PLEASE ENQUIRE

YOKOGAWA

MODELS LR 4100 & LR 4200 STRIP CHART

PRODUCT GROUP: PYO/0271 (Z-FOLDS)

OEM PART #	ORDER REF	TYPE	UNIT LENGTH	CHART WIDTH	QTY/ PKG.	RANGE / DESCRIPTION
B9619 AH	0071235	Z-FOLD	1 x 20m	271mm	1	0-100 LINEAR

MANY OTHER CHARTS AVAILABLE FOR THIS RECORDER, PLEASE ENQUIRE

MODEL LR 8100 STRIP CHART

PRODUCT GROUP: PYO/0269 (Z-FOLDS)

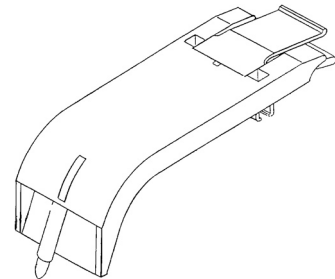
OEM PART #	ORDER REF	TYPE	UNIT LENGTH	CHART WIDTH	QTY/ PKG.	RANGE / DESCRIPTION
B9585 AH	0070821	Z-FOLD	1 x 30m	269mm	6	0-100 100-0 LINEAR

MANY OTHER CHARTS AVAILABLE FOR THIS RECORDER, PLEASE ENQUIRE

MODEL LR 8100 DISPOSABLE FIBRE TIPPED PENS

PRODUCT GROUP: FD14

OEM PART #	ORDER REF	COLOUR	QTY/ PKG.
B9586-*A	0067943	RED	3
B9586-*B	0067944	GREEN	3
B9586-*C	0067945	BLUE	3
B9586-*D	0067946	BROWN	3
B9586-*E	0067947	BLACK	3
B9586-*F	0067948	MAGENTA	3
B9586-*G	0067949	ORANGE	3
B9586-*H	0067950	VIOLET	3



REPLACE * WITH: X = LOW SPEED
 Y = STANDARD
 Z = HIGH SPEED

CROWN GRAPHIC OFFER A STANDARD INK TO COVER X, Y & Z

FOR OTHER RECORDER MODELS OR NON-STANDARD CHARTS PLEASE ENQUIRE