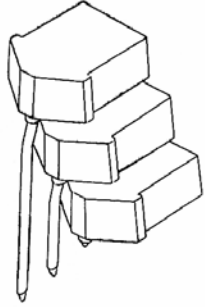
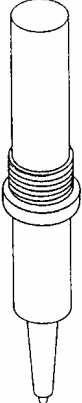
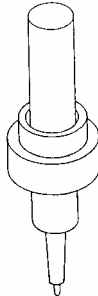
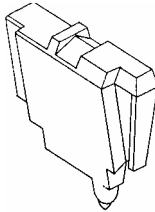


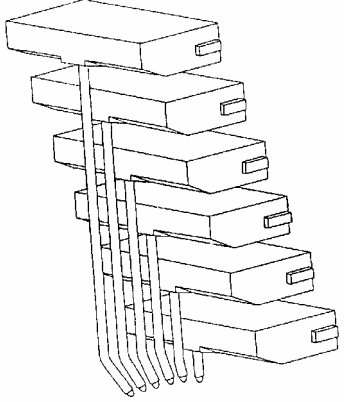
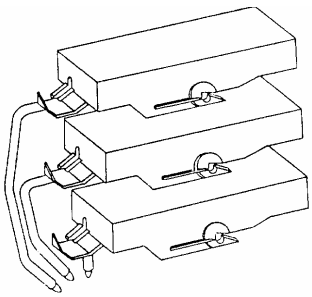
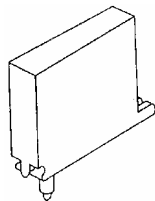


Model	OEM Part	Our Equivalent	Pk	GOERZ
SE110, SE111, 210, 310, 311, 321, 790.	GRZ195 5360 E74 ZB 536-74	1MT081-R	1	
300, 330, 430.	GRZ195 5360 E74 ZB 536-74	1MT081-R	1	
	GRZ195 5360 E75 ZB 536-75	1MT082-B	1	
	GRZ195 5360 E74 ZB 536-74	1MT081-R	1	
	GRZ195 5360 E75 ZB 536-75	1MT082-B	1	
	GRZ195 5360 E76 ZB 536-76	1MT083-G	1	
SERVIGOR X-Y, PLOTTERS 211, 731, 730, 732, 733, 740, 743.	GRZ195 5530 E00 ZB 553 R	1CY15-R	5	
	GRZ195 5530 E74 ZB 553 B	1CY15-B	5	
	GRZ195 5530 E75 ZB 553 S	1CY15-N	5	
	GRZ195 5530 E76 ZB 553 G	1CY15-G	5	


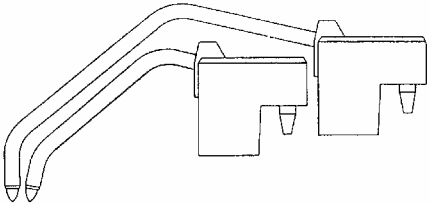



Model	OEM Part	Our Equivalent	Pk	GOERZ
SERVOGOR 281, 282, 283, 284 MULTIPEN PLOTTERS, SE780.	GRZ195 5880 E00	1CY10P5-R	5	
	GRZ195 5880 E74	1CY10P5-B	5	
	GRZ195 5880 E75	1CY10P5-N	5	
	GRZ195 5880 E76	1CY10P5-G	5	
	GRZ195 5880 E76A	1CY10P5-L	5	
	GRZ195 5880 E77	1CY10P5-M	5	
	GRZ195 5880 E78	1CY10P5-Y	5	
	GRZ195 5880 E79	1CY10P5-V	5	
	GRZ195 5880 E80	1CY10P5-A	5	
	GRZ195 5880 E81	1CY10P5-C	5	
<p>WE CAN ALSO SUPPLY OUR CY10 RANGE IN A P3, P7 OR RB TIP OPTION. FOR THE AVAILABLE COLOURS REFER TO THE P5 LISTING ABOVE.</p>				
SERVOGOR SE130, SE460, SE461, SE462, SE463.	GRZ195 6070 E74	1FD33-R	1	
	GRZ195 6070 E84 ZB 607-74 ZB 607-84			
	GRZ195 6070 E75	1FD33-B	1	
	GRZ195 6070 E85 ZB 607-75 ZB 607-85			
	GRZ195 6070 E76	1FD33-G	1	
	GRZ195 6070 E86 ZB 607-76 ZB 607-86			
	GRZ195 6070 E77	1FD33-N	1	
	GRZ195 6070 E87 ZB 607-77 ZB 607-87			
	GRZ195 6070 E78	1FD33-M	1	
	GRZ195 6070 E88 ZB 607-78 ZB 607-88			
GRZ195 6070 E79	1FD33-V	1		
GRZ195 6070 E89 ZB 607-79 ZB 607-89				
<p>OUR UNIQUE INK FORMULATION ALLOWS US TO SUPPLY ONE PEN TO COVER THE SLOW AND STD WRITING SPEED PENS, HENCE WHY THERE ARE TWO SETS OF NUMBERS FOR ONE PEN.</p>				






Model	OEM Part	Our Equivalent	Pk	GOERZ
SERVOGOR 921, 922, 961, 962,, K200, K600.	GRZ949 3200 E01	1MT231-V	2	
	GRZ949 3200 E02	1MT232-R	2	
	GRZ949 3200 E03	1MT233-N	2	
	GRZ949 3200 E04	1MT234-G	2	
	GRZ949 3200 E05	1MT235-B	2	
	GRZ949 3200 E06	1MT236-M	2	
LN100, GTA0101, GTA0102, GTA0103, GTA0201, GTA0202, GTA0203, GTA0951.	2.434.316.01 GTY243 4316 R01 GTY243 4316 R21	1MT251-R	1	
	2.434.316.02 GTY243 4316 R02 GTY243 4316 R22	1MT252-G	1	
	2.434.316.03 GTY243 4316 R03 GTY243 4316 R23	1MT253-B	1	
SERVOGOR S, RE 510, RE 530, RE 540.	GRZ195 3350 00 REL 5063	9GR01	1	
	WE CAN SUPPLY FTD PENS TO REPLACE THE 9GR01 AS LISTED BELOW.			
	GRZ195 3220 E75 ZB 322/1 RT	1FD20-R	2	
	GRZ195 3220 E76 ZB 322/2 BL	1FD20-B	2	
GRZ195 3220 E74 ZB 322/3 GR	1FD20-G	2		



Model	OEM Part	Our Equivalent	Pk	GOERZ
SERVOGO 2S, RE 560, RE 570.				
LOWER METAL PEN	GRZ195 473 00 REL 5745/1 ZB473	9GR02	1	
UPPER METAL PEN	GRZ195 474 00 REL 5745/2 ZB474	9GR03	1	
CARTRIDGE	ZB477	2ZB01-R 2ZB01-B	4 4	
<p>WE CAN SUPPLY AN FTD PEN CONVERSION FOR THE ABOVE RECORDERS AS DETAILED BELOW. AS THIS CONVERSION WAS NEVER OFFERED BY THE OEM WE HAVE USED THE SAME PART NUMBERS AS THOSE USED FOR THE METAL PENS. A CONVERSION CLIP IS REQUIRED TO ADAPT EACH CHANNEL.</p>				
LOWER CHANNEL	GRZ195 473 00 REL 5745/1 ZB473	1MT211-R	2	
UPPER CHANNEL	GRZ195 474 00 REL 5745/2 ZB474	1MT212-B	2	
CONV. CLIP	LD 571A	9K21	1	
SERVOGOR XY, RE551, RE556, SERVOGOR SB, RE639-649.	GRZ301 4325 E75 AT 4325 RT  GRZ301 4325 E74 AT 4325 BL	1CY6-R  1CY6-B	5  5	



Model	OEM Part	Our Equivalent	Pk	GOERZ
METRACOMP LC, METRACOMP LCL, METRACOMP CM, METRACOMP KK, METRACOMP 60S.		2R850-R 2R850-B 2R850-G	4 4 4	
		1CY16-B 1CY16-G 1CY16-N 1CY16-R	5 5 5 5	
		1CY1-#01  1CY1FL-#01  1CY1P3-#01  1CY1P5-#01  1CY1P7-#01  1CY1RB-#01	3  3  3  3  3	
<div style="border: 1px solid black; padding: 5px; width: fit-content;"> <p>THE RANGE IS AVAILABLE IN A VARIETY OF COLOURS, EITHER A,B,C,G,M,N,O,R,V OR Y.</p> </div>				
SERVIGOR M, MINIGOR M, MINIGOR 510.	GRZ195 5050 E74 ZB 505 RT  GRZ195 5050 E75 ZB 505 BL	1CY4-R    1CY4-B	5    5	