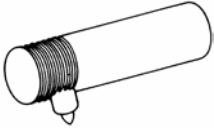
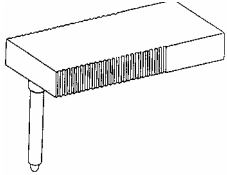
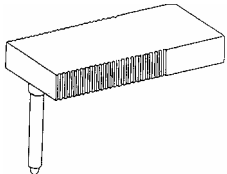
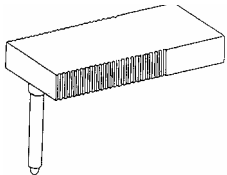

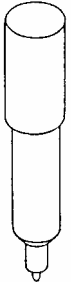




Model	OEM Part	Our Equivalent	Pk	PERKIN ELMER
MODEL 23 SINGLE CHANNEL	023-1253	1PB3-R03	5	
561D	023-1254	1FD29C31-R	5	
	023-1255	1FD29C09-G	5	
LC55, 56, 200, 601, 604, MODEL 123, 550, 551, 557, 571, 572, 575, H056-001, 220, 561H, 561L, 561M, 571, 572, 575.	040-1740 023-0567 CP-285010	1FD29C09-N	5	
	040-1741 023-0568 CP-285040	1FD29C09-R	5	
	040-1742 023-0566 CP-285030	1FD29C09-B	5	
	040-1743 023-0569 CP-285020	1FD29C09-G	5	
57-0200, 57-0100, 57-0130	28501-J 28502-J 28503-J 28504-J	1FD29C14-N	5	
		1FD29C14-G	5	
		1FD29C14-B	5	
		1FD29C14-R	5	



Model	OEM Part	Our Equivalent	Pk	PERKIN ELMER
77, 157, 167, 197, 225, 267, 281, 283, 297, 323, 340, 357, 397, 399, 402, 457, 467, 552S, 554, 555, 556, 557, 567, 580B, 597, 299, 399, 599, 180, 34, 700, 720, 566, -727B & -735B, H0050125, 701B, AS 211-0670.	211-0670 132884 0497-0090	1CY1-R02	3	
	211-0671 0497-0092 067809 094018	1CY1-N02	3	
	211-0672 132886 0497-0089	1CY1-G02	3	
	211-067X 132885 0497-0091	1CY1-B02	3	
	132887  06-7808	1CY1-V02  1CY102MIX01 (2x N, 1x RBGV)	3  6	
56S, 56D, 159, 165, 169, QPD 33, 56M	053764 053869 053870 053871 053872	1CY9-R 1CY9-N 1CY9-B 1CY9-V 1CY9-G	6 6 6 6 6	
PEX-Y1, Y2		1FD21-#	10	
<div style="border: 1px solid black; padding: 5px; width: fit-content; margin: 0 auto;"> <p>COLOURS AVAILABLE ARE EITHER A,B,C,G,M,N,O,R,V OR Y.</p> </div>				



Model	OEM Part	Our Equivalent	Pk	PERKIN ELMER
237 INFRA-RED SPECTROPHOTOMETER	496-2855	9PE01	1	
<div style="border: 1px solid black; padding: 5px; width: fit-content; margin: 0 auto;">TO CONVERT THE ABOVE RECORDER TO TAKE FTD PENS USE THE PARTS LISTED BELOW.</div>				
1R 137, 1R 237.	496-2855	9KPB21 1PB21-R	1 1	
	159-2110	9PE02	1	