



Model	OEM Part	Our Equivalent	Pk	RECORD ELECTRICAL	
FIBRE TIP CAPILLARY SYSTEMS.	214098501	4B221046X4 WRITING TIP	1		
	214101501	TIP001 TIP LOADER	1		
	217002401	2N750-R	2		
	217002402	2N750-B	2		
	217002403	2N750-G	2		
	217002404	2N750-N	2		
	INK CART. & ROL (TO CONVERT FROM ORIGINAL SCREW TOP TO BOTTLE)	217002405	2N750RWKIT05		1
		217002406	2N750RWKIT06		1
		217002407	2N750RWKIT07		1
		217002408	2N750RWKIT08		1
	AS ABOVE PLUS FIBRE TIP.	217002409	2N750RWKIT09		1
		217002410	2N750RWKIT10		1
217002411		2N750RWKIT11	1		
217002412		2N750RWKIT12	1		
<div style="border: 1px solid black; padding: 5px; width: fit-content; margin: 0 auto;"> <p>CONVERSION KITS ARE AVAILABLE FOR ANY NON CONVERTED RECORDERS STILL USING THE OLD STYLE CAPILLARY SYSTEMS.</p> </div>					
SERVEX, M.S.R. RANGER MODEL RECORDERS. (LOWER CHANNEL)	6220-351 6280-240 217015101 217016401	1MT15-R03	2		
	6220-353 6280-243 217015104 217016404	1MT15-B03	2		

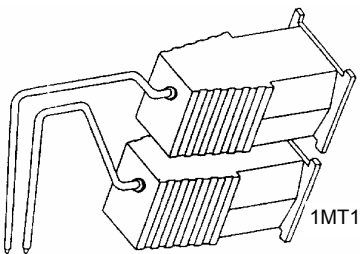
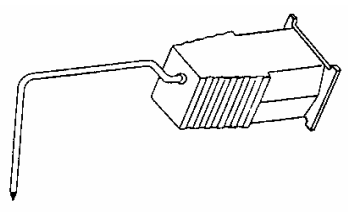


CROWN GRAPHIC

MARKING SYSTEMS CATALOGUE

AUGUST 2004

PAGE R03.02

Model	OEM Part	Our Equivalent	Pk	RECORD ELECTRICAL
(ELEC CHART, TUNGSTEN TIP)	6220-354 6280-244 217015105 217016405	1MT15-NET	1	 1MT16 1MT15NET
(UPPER CHANNEL)	6220-352 6280-241 217015102 217016402	1MT16-G03	1	
	217018402	1MT17-R03	1	
(ELEC CHART TUNGSTEN TIP)	217021701	1MT17-NET	1	 1MT17NET