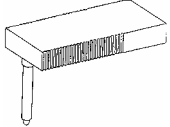
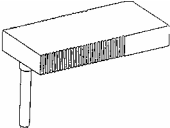
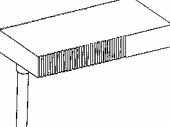
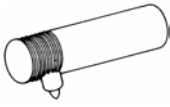
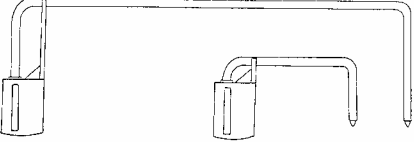
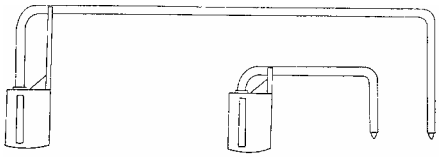
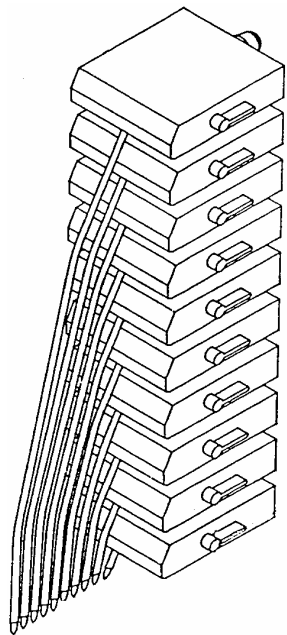


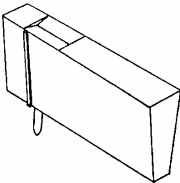
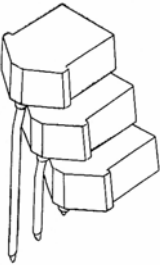
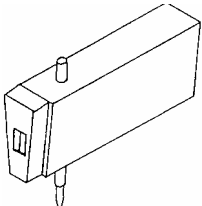
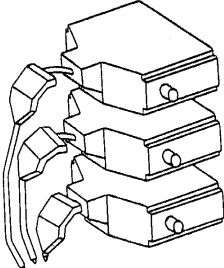


Model	OEM Part	Our Equivalent	Pk	SOLTEC
4201, 6723, 4202.	PF-0701	1FD29C05-R	5	
	PF-0702	1FD29C26-N	5	
1241, 1242.	PF-1201	1FD29C05-R	5	
	PF-1206	1FD29C32-G	5	
	PF-0101	1FD29C09-R	5	
	PF-0102	1FD29C09-N	5	
	PF-0103	1FD29C31-B	5	
	PF-0104	1FD29C31-G	5	
	PF-0001	1PB3-R03	5	
	PF-0002	1PB3-N03	5	
	PF-0003	1PB3-B03	5	
	PF-0006	1PB3-G03	5	
DB SERIES, KA SERIES, KB SERIES.	PF-0301	1MT01A1-R	1	
	PF-0302	1MT01A2-N	1	
	PF-0303	1MT01A3-B	1	
	PF-0304	1MT01A4-M	1	
	PF-0305	1MT01A5-V	1	
	PF-0306	1MT01A6-G	1	

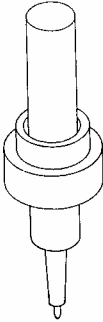
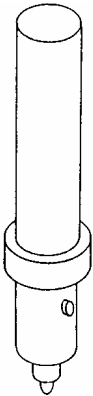


Model	OEM Part	Our Equivalent	Pk	SOLTEC
B16-36, B106, 606, B161-361, B181-381, B1061-6061.	PF-0901 PF-0401	1MT01B1-R	1	
	PF-0902 PF-0402	1MT01B2-N	1	
	PF-0903 PF-0403	1MT01B3-B	1	
	PF-0904 PF-0905 PF-0906	1MT01B4-M 1MT01B5-V 1MT01B6-G	1 1 1	
<div style="border: 1px solid black; padding: 5px; width: fit-content; margin: 0 auto;"> <p>NOTE THAT THE MT01 FTD SERIES CANNOT BE USED CONCURRENTLY WITH SOLTEC ORIGINALS, ALL CHANNELS MUST BE CHANGED OVER.</p> </div>				
R-01, 02, 03, R-52, -54, -56, -302, -304, -306.	PF-2001	1MT711-R	1	
	PF-2002	1MT712-N	1	
	PF-2003	1MT713-B	1	
	PF-2004	1MT714-M	1	
	PF-2005	1MT715-V	1	
	PF-2006	1MT716-G	1	
R-5X, R-308.	PF-2007	1MT717-A	1	
	PF-2008	1MT718-C	1	
	PF-2009	1MT719-Y	1	
	PF-2010	1MT710-L	1	



Model	OEM Part	Our Equivalent	Pk	SOLTEC
3310 SERIES	PF-0501 PF-0502 PF-0503 PF-0504 PF-0505 PF-0506 PF-0507 PF-0508 PF-0509 PF-0510	1FD21-R 1FD21-N 1FD21-B 1FD21-M 1FD21-V 1FD21-G 1FD21-O 1FD21-C 1FD21-A 1FD21-L	10 10 10 10 10 10 10 10 10 10	
1200 & 1300 SERIES	PF-0601 PF-0602 PF-0603	1MT081-R 1MT082-N 1MT083-B	1 1 1	
500 & 520 SERIES	PF-3801 PF-3802 PF-3803 PF-3804 PF-3805 PF-3806 PF-3808 PF-3810	1FD36-R 1FD36-N 1FD36-B 1FD36-M 1FD36-V 1FD36-G 1FD36-C 1FD36-L	3 3 3 3 3 3 3 3	
7ND 212x	PF-1501 PF-1503 PF-1506	1MT461-R 1MT462-B 1MT463-G	1 1 1	



Model	OEM Part	Our Equivalent	Pk	SOLTEC	
281 DIGITAL PLOTTER.	PF-1121	1CY10P3-R	5		
	PF-1122	1CY10P3-N	5		
	PF-1123	1CY10P3-B	5		
	PF-1124	1CY10P3-M	5		
	PF-1126	1CY10P3-G	5		
	PF-1127	1CY10P3-A	5		
	PF-1128	1CY10P3-C	5		
	PF-1129	1CY10P3-Y	5		
			1CY10P3-O		5
			1CY10P3-V		5
		PF-1101	1CY10P5-R		5
		PF-1102	1CY10P5-N		5
		PF-1103	1CY10P5-B		5
		PF-1104	1CY10P5-M		5
		PF-1106	1CY10P5-G		5
		PF-1107	1CY10P5-A		5
		PF-1108	1CY10P5-C		5
		PF-1109	1CY10P5-Y		5
			1CY10P5-O		5
			1CY10P5-V		5
<p>WE ALSO OFFER A P7 AND RB TIP OPTION. THE COLOURS AVAILABLE ARE THE SAME AS ABOVE.</p>					
RW-21T, RW-201T. SHORT BODY.	PF-3001	1CY13-R	5		
	PF-3002	1CY13-N	5		
LONG BODY.	PF-3001	1CY14-R	5		
	PF-3002	1CY14-N	5		



CROWN GRAPHIC

MARKING SYSTEMS CATALOGUE

AUGUST 2004

PAGE S19.05

Model	OEM Part	Our Equivalent	Pk	SOLTEC
PRIMELINE	PF-3305	1MT231-V	2	
	PF-3301	1MT232-R	2	

CROWN GRAPHIC LTD, ST PETERS QUAY, TOTNES, DEVON, TQ9 5XH, UK

TEL : +44 (0)1803 860100 FAX : +44 (0)1803 863838 EMAIL : sales@crowng.com WEB : http://www.crowng.com